
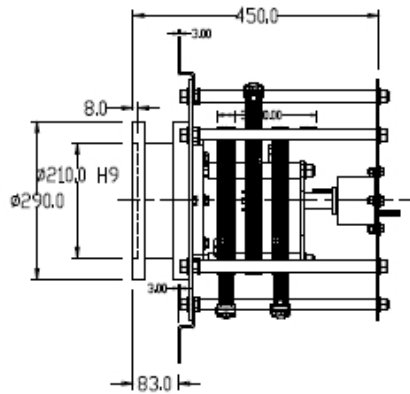
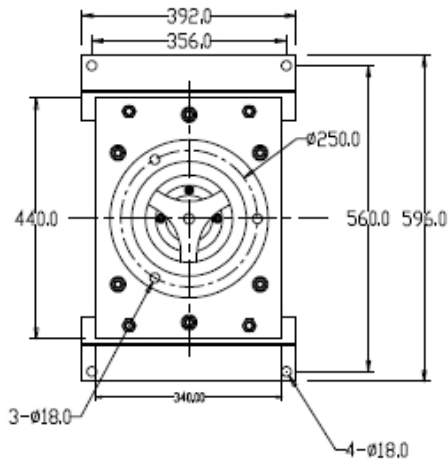
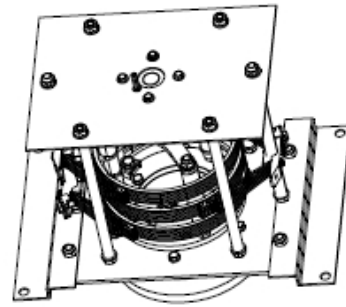




## High current slip ring---BLS03600-0630

Specification		www.chineseslipring.com
<b>Basic Parameters:</b>		 <p style="text-align: center;">Option</p> <ul style="list-style-type: none"> <li>● Operating speed</li> <li>● Circuits</li> <li>● Signal, power combined</li> <li>● Current &amp; Voltage</li> <li>● Lead wire length</li> <li>● Lead wire exit direction</li> <li>● Protection class</li> <li>● Connector</li> </ul>
Ring ring	600A 6 3rd signal	
Operating Speed	0-500rpm	
Working Temperature	-40°C~ +80°C	
Working Humidity	60%RH or higher	
<b>Electrical:</b>		
Voltage Rating	380VAC/DC	
Current Rating	600A	
Dielectric Strength	≥1000 VAC@50Hz between per circuit	
Insulation Resistance	1000 MΩ@500VDC	
Electronic Noise	≤8mΩ	
<b>Mechanical:</b>		
Contact Material	Gold on Gold	
Wire Size	AWG28 or AWG30 UL certification	
Cable length	Standard 250mm	
Caps Materia	Plastic or metal	
Moment	≤ 0.15 g · m (only parameter to consider)	
Protection Grade	IP54 or higher	
<b>Others:</b>		

**MODEL: BLSC03600-0630**

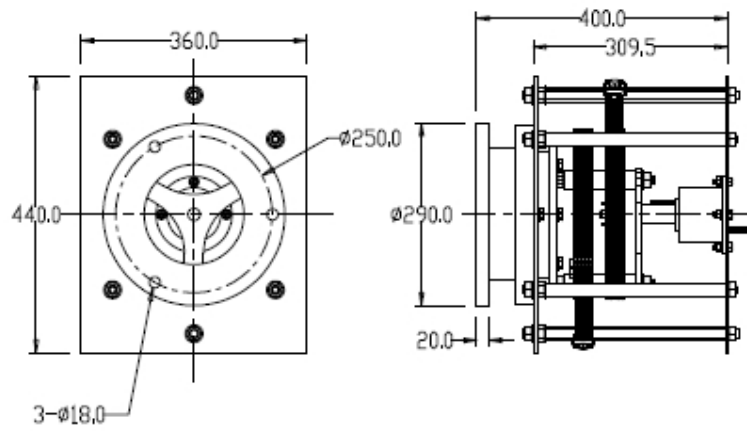
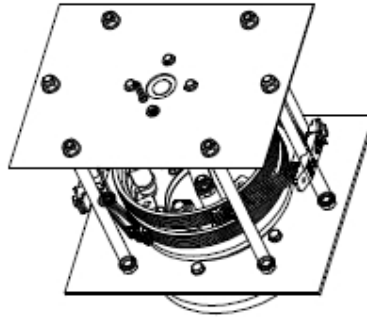


**UNIT: mm**

**BLS02600-0630**



MODEL: BLSC02600-0630



UNIT: mm