




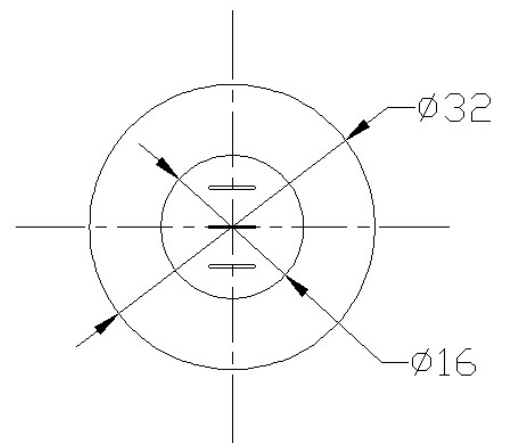
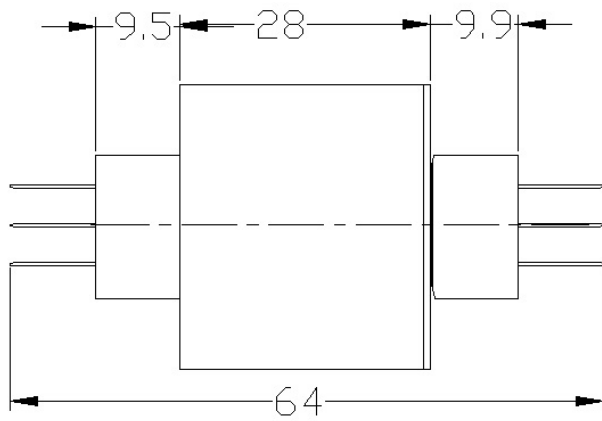
High current slip ring---BLR032-4

Specification		www.chineseslipring.com
Basic Parameters:		
Ring ring	Number1-4	
Operating Speed	0-400rpm	
Working Temperature	-20℃~ +80℃	
Working Humidity	60%RH or higher	
Electrical:		
Voltage Rating	240VDC/240VAC	
Current Rating	2A、14A	
Dielectric Strength	≥1000 VAC@50Hz between per circuit	
Insulation Resistance	1000 MΩ@500VDC	
Electronic Noise	≤8mΩ	
Mechanical:		<p>Option</p> <ul style="list-style-type: none"> • Operating speed • Circuits • Signal, power combined • Current & Voltage • Lead wire length • Lead wire exit direction • Protection class • Connector
Contact Material	Gold on GoldI	
Wire Size	AWG28 or AWG30 UL certification	
Cable length	Standard 250mm	
Caps Materia	Plastic or metal	
Moment	≤ 0.15 g · m (only parameter to consider)	
Protection Grade	IP54 or higher	
Others:		

Model	Number of rings	Electric current		OD × length
		2A	15A	
BLR032-2	2		2	Φ32mm×28mm
BLR032-3	3		3	Φ32mm×28mm
BLR032-4	4	2	2	Φ32mm×28mm



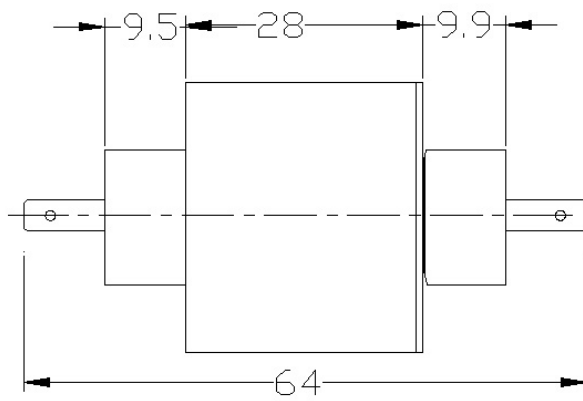
BLRO32-2



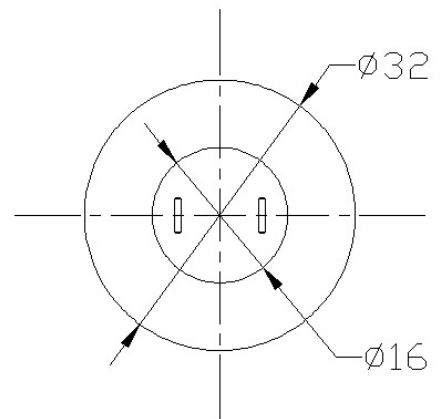
Unit : mm



BLR032-3

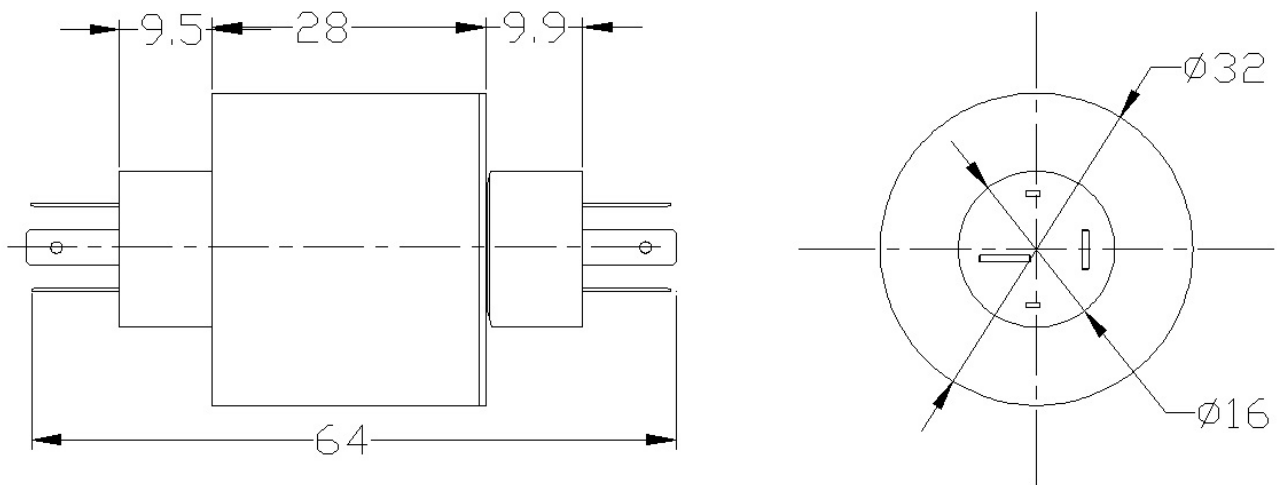


Unit: mm





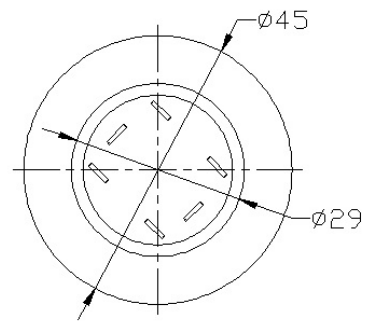
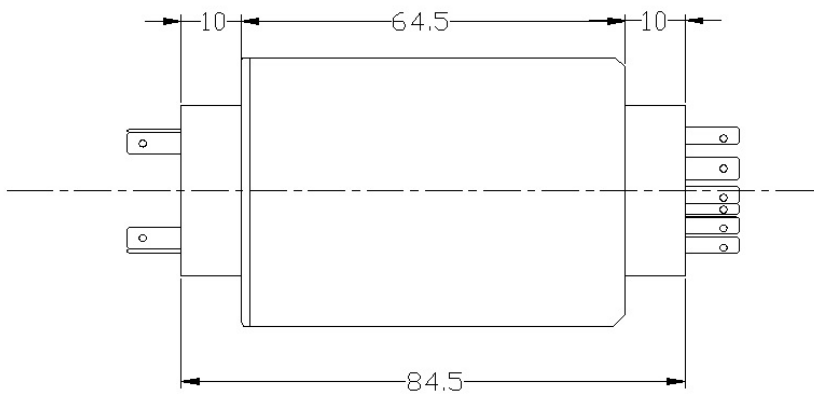
BLR032-4



Unit: mm

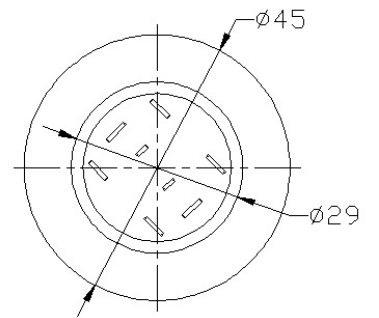
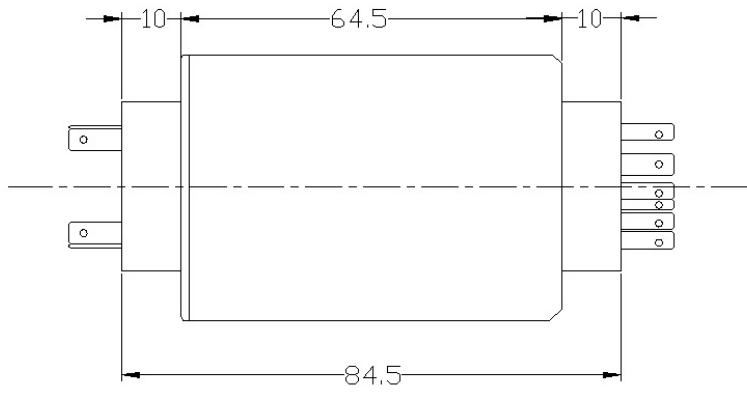
Model	Number of rings	Electric current		OD × length
		7A	20A	
BLR045-6	6		6	Φ45mm×64.5mm
BLR045-8	8	2	6	Φ45mm×64.5mm

BLR045-6



Unit:mm

BLR045-8



Unit:mm