


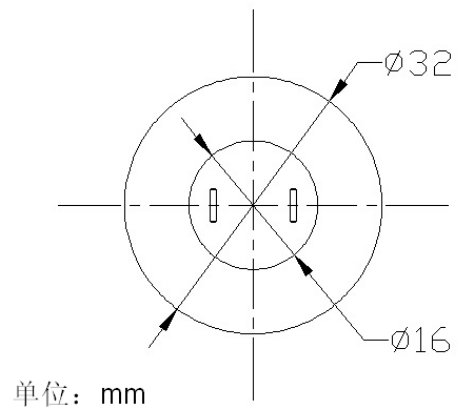
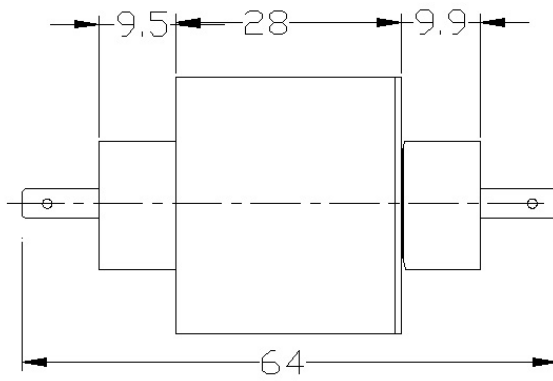


Capsule Slip ring---BLC32

Specification		www.chineseslipring.com
Basic Parameters:		
Outer diameter	32mm	
Circuits	<=4circuits	
Operating Speed	0-500rpm	
Working Temperature	-40℃~ +80℃	
Working Humidity	60%RH or higher	
Electrical:		
Voltage Rating	240VAC/DC	
Current Rating	2A or 15A	
Dielectric Strength	≥500 VAC@50Hz between per circuit	
Insulation Resistance	1000 MΩ@500VDC	
Electronic Noise	≤8mΩ	
Mechanical:		<p>Option</p> <ul style="list-style-type: none"> • Operating speed • Circuits • Signal, power combined • Current & Voltage • Lead wire length • Lead wire exit direction • Protection class • Connector
Contact Material	Gold on GoldI	
Wire Size	AWG28 or AWG30 UL certification	
Cable length	Standard 250mm	
Caps Materia	Plastic or metal	
Moment	≤ 0.15 g · m (only parameter to consider)	
Protection Grade	IP54 or higher	
Others:		

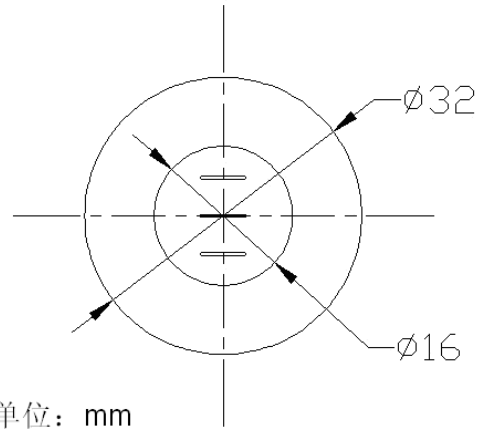
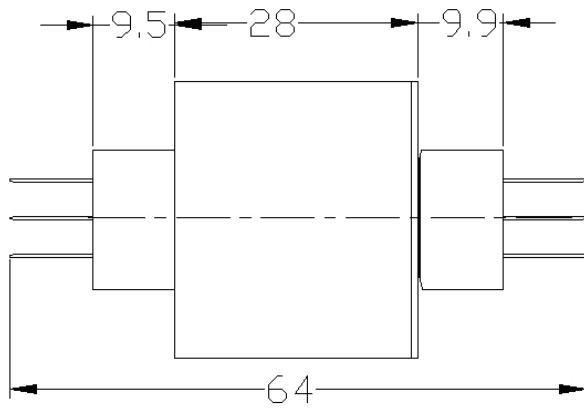
Model	Rings	Current		OD×Length
		2A	15A	
BLC32-2	2		2	Φ32mm×28mm
BLC32-3	3		3	Φ32mm×28mm
BLC32-4	4	2	2	Φ32mm×28mm

BLC32-2



BLC32-3





BLC32-4

