
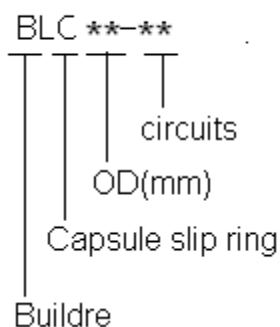


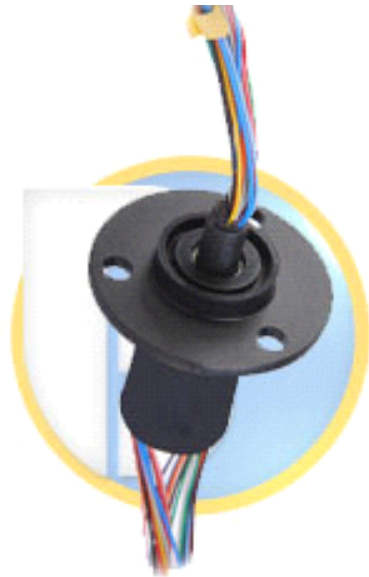


## Capsule Slip ring---BLC22

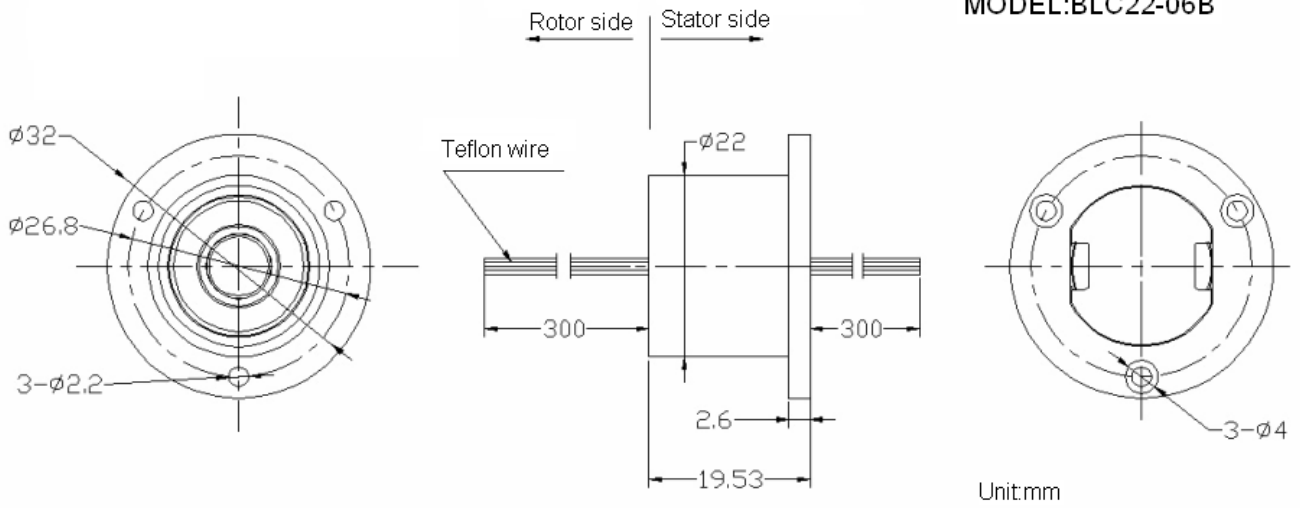
Specification		www.chineseslipring.com
<b>Basic Parameters:</b>		
Outer diameter	22mm	
Circuits	-36circuits	
Operating Speed	0-500rpm	
Working Temperature	-20℃~ +120℃	
Working Humidity	60%RH or higher	
<b>Electrical:</b>		
Voltage Rating	240VAC/DC	
Current Rating	2A per circuit	
Dielectric Strength	≥500 VAC@50Hz between per circuit	
Insulation Resistance	1000 MΩ@500VDC	
Electronic Noise	≤8mΩ	
<b>Mechanical:</b>		<p>Option</p> <ul style="list-style-type: none"> <li>● Operating speed</li> <li>● Circuits</li> <li>● Signal, power combined</li> <li>● Current &amp; Voltage</li> <li>● Lead wire length</li> <li>● Lead wire exit direction</li> <li>● Protection class</li> <li>● Connector</li> </ul>
Contact Material	Gold on GoldI	
Wire Size	AWG28 or AWG30 UL certification	
Cable length	Standard 250mm	
Caps Materia	Plastic or metal	
Moment	≤ 0.15 g · m (only parameter to consider)	
Protection Grade	IP54 or higher	
<b>Others:</b>		

Part Number Indication:

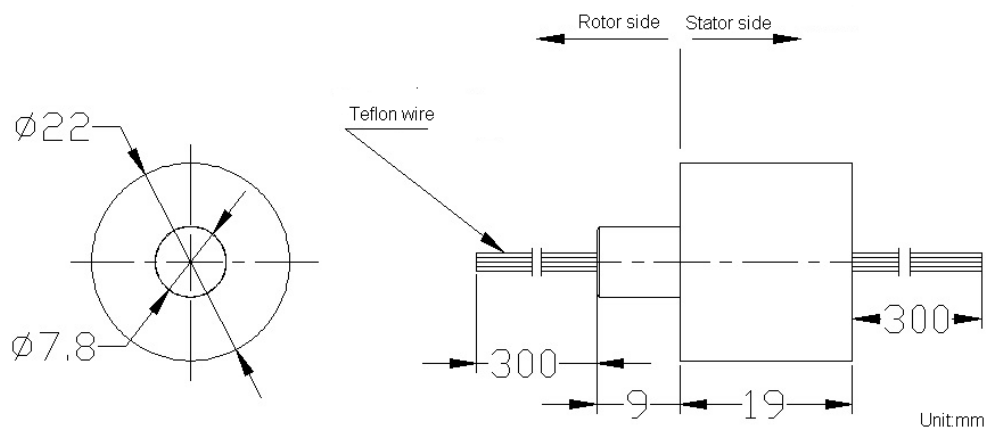




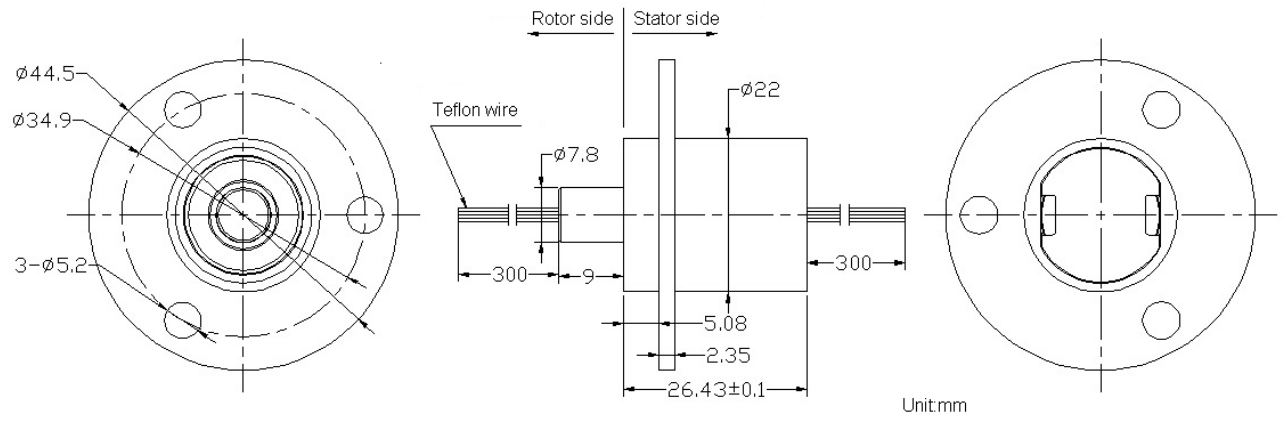
MODEL:BLC22-06B



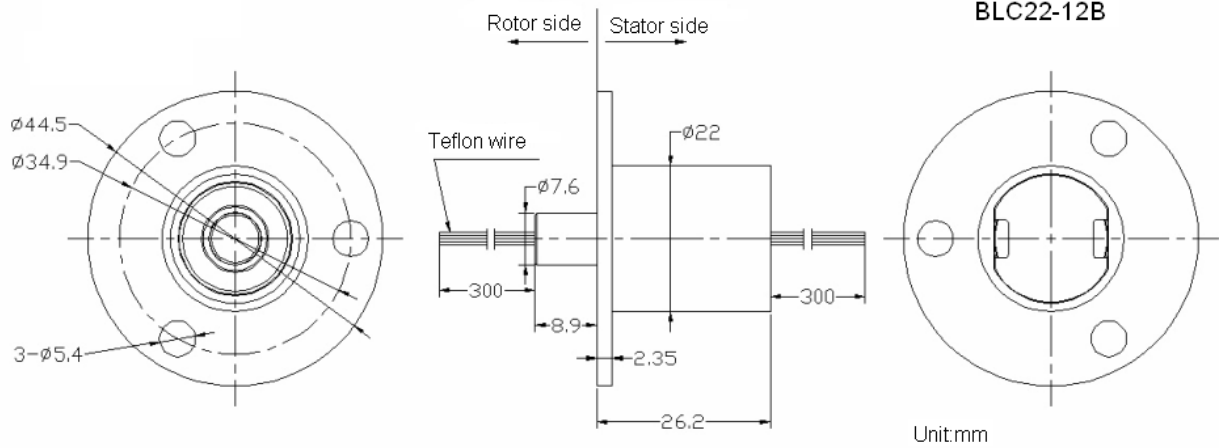
MODEL:BLC22-06C



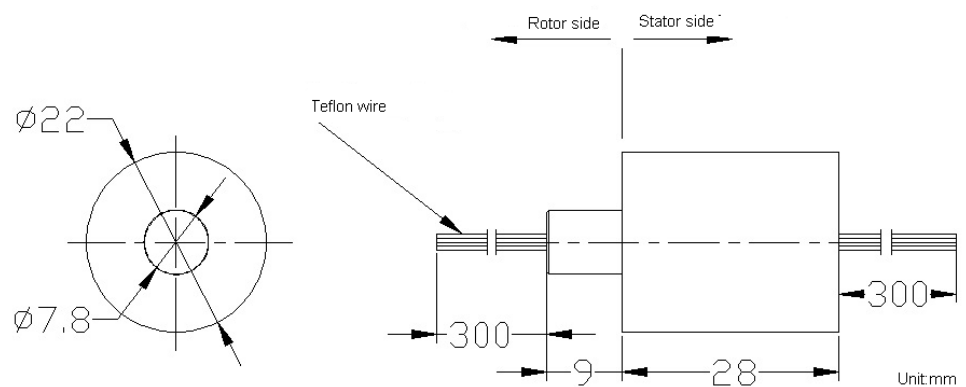
MODEL:BLC22-12A

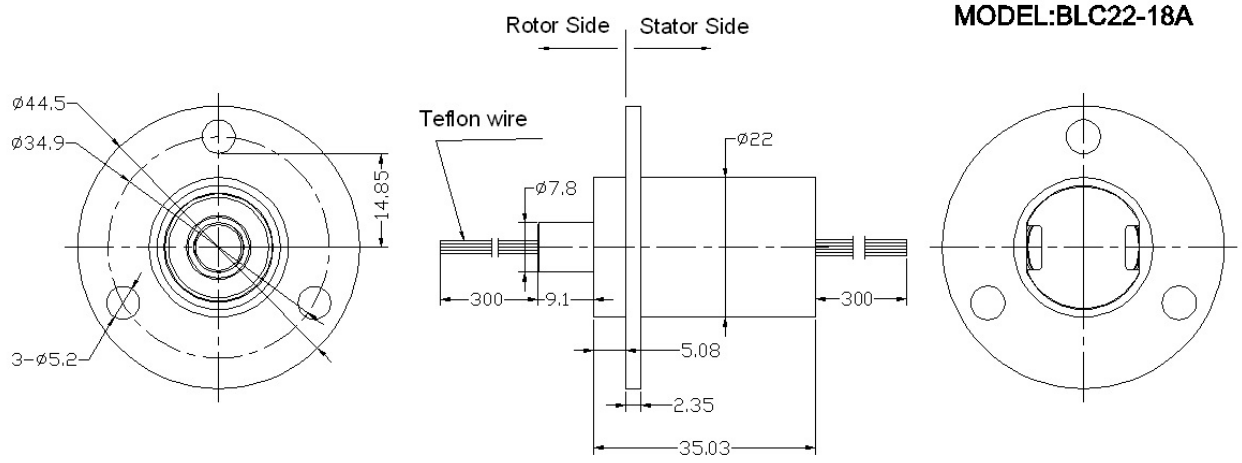


BLC22-12B

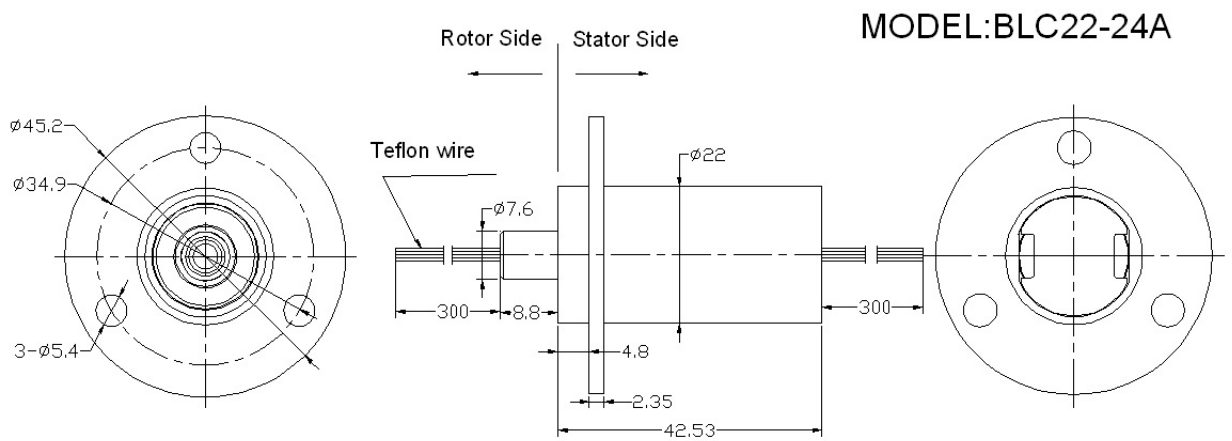


MODEL:BLC12-12C

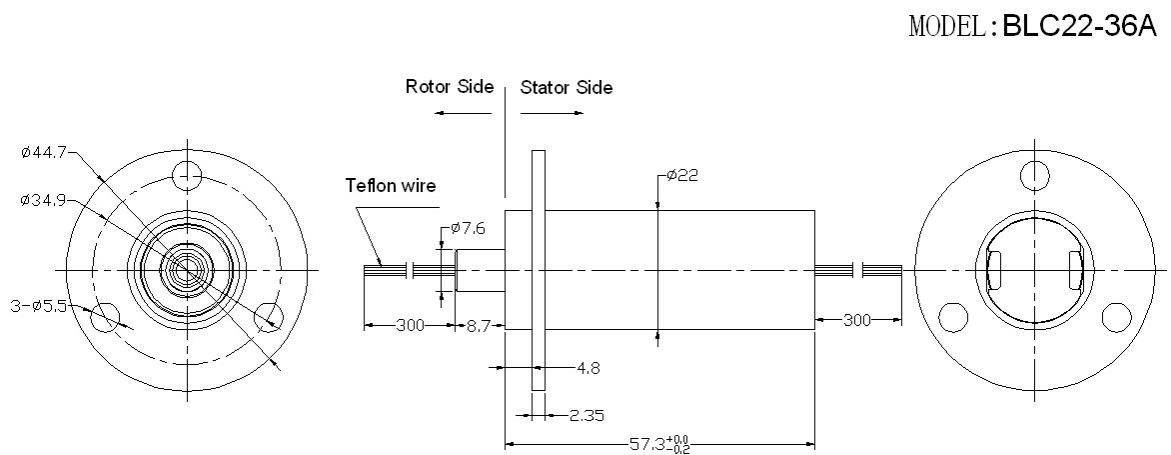




Unit: mm



Unit: mm



Unit: mm